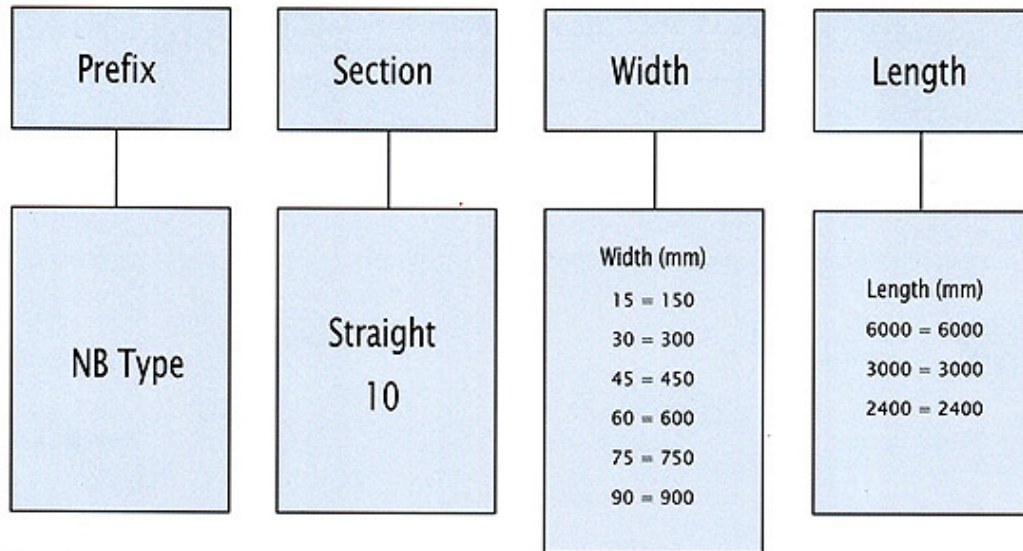


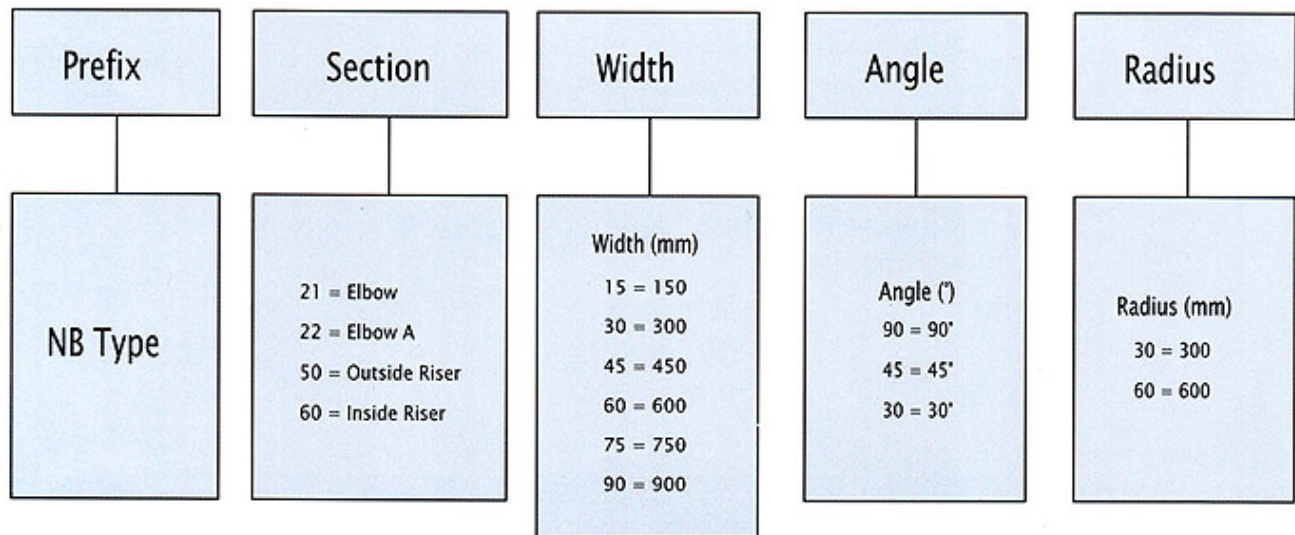
Straight Section Numbering System



Example :

NB10303000 = Straight 300 W x 132 H x 3000 L
Material = Mild Steel JIS G 3131 (SPHC)

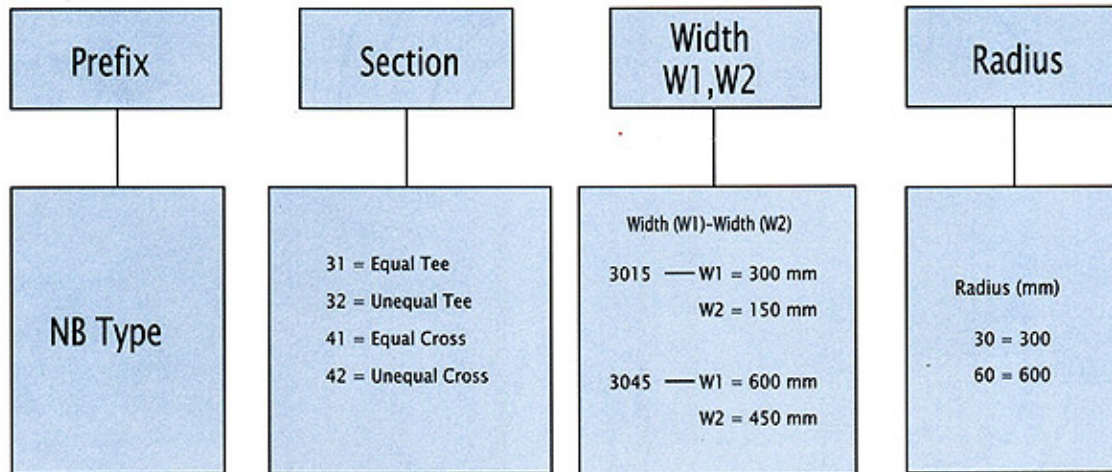
Elbow, Elbow A, Outside Riser, Inside Riser Section Numbering System



Example :

NB 21 1530	= Elbow 132 mm H, 150 mm W, 90°, 300 mm Radius
Material	= Mild Steel JIS G 3131 (SPHC)
NB 22 15 30	= Elbow A 132 mm H, 150 mm W, 90°, 300 mm Radius
NB 50 45 30	= Outside Riser 132 mm H, 450 mm W, 90°, 300 mm Radius
NB 60 60 30	= Inside Riser 132 mm H, 600 mm W, 90°, 300 mm Radius

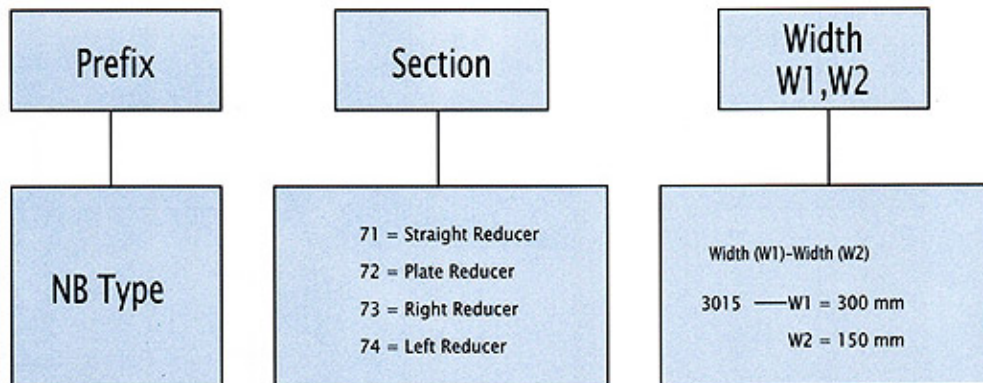
Tee And Cross Section Numbering System



Example :

- NB 31 15 30 = Equal Tee 130 mm H, 150 mm (W1), 150 mm (W2)
 300 mm Radius, Mild Steel JIS G 3131 (SPHC) NB Type
- NB 32 30 15 30 = Unequal Tee, 132 mm H, 300 mm (W1), 150 mm (W2)
 300 mm Radius, Mild Steel JIS G 3131 (SPHC) NB Type
- NB 41 30 30 = Equal Cross, 132 mm H, 300 mm (W1), 300 mm (W2)
 300 mm Radius, Mild Steel JIS G 3131 (SPHC) NB Type
- NB 42 90 45 30 = Unequal Cross, 132 mm H, 900 mm (W1), 450 mm (W2)
 300 mm Radius, Mild Steel JIS G 3131 (SPHC) NB Type

Reducer Section Numbering System

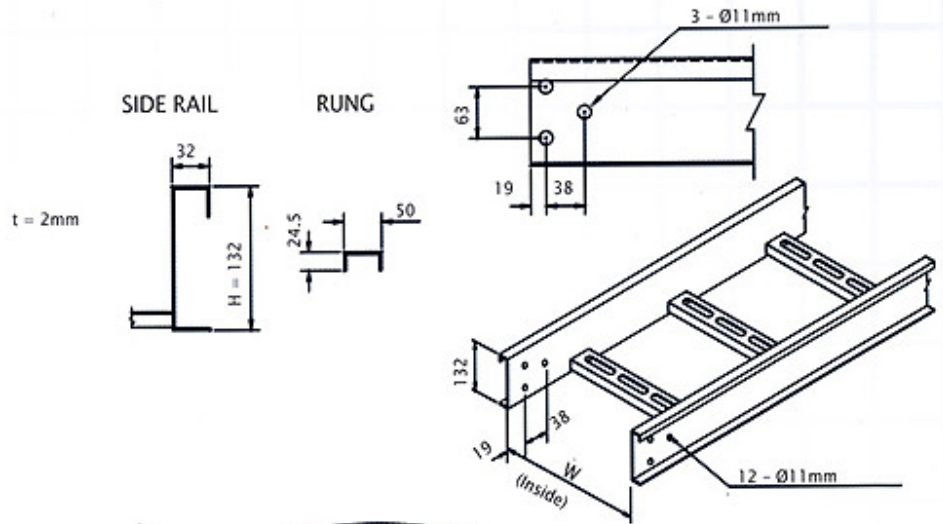
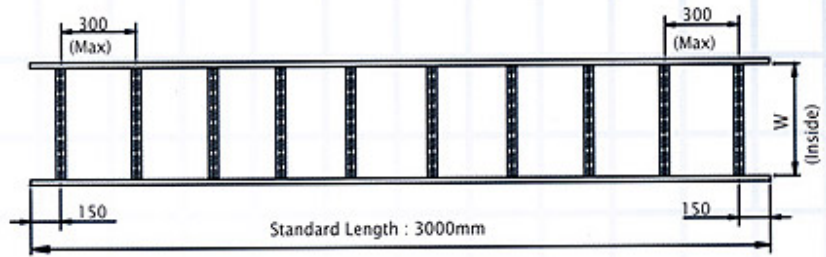


Example :

- NB 71 75 45 = Straight Reducer 132 mm H.
 750 mm (W1), 450 mm (W2), NB Type

1.0. Straight Ladder

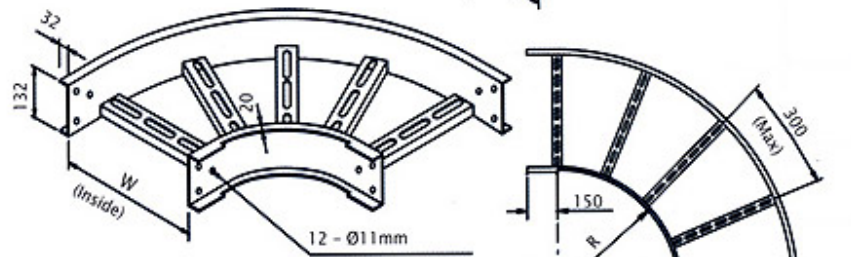
Code No.	Width (W)mm
NB10153000	150
NB10303000	300
NB10453000	450
NB10603000	600
NB10753000	750
NB10903000	900



2.1. Elbow

Code No.	Width (W)mm	Radius mm
NB21159030	150	300
NB21309030	300	
NB21459030	450	
NB21609030	600	
NB21759030	750	
NB21909030	900	

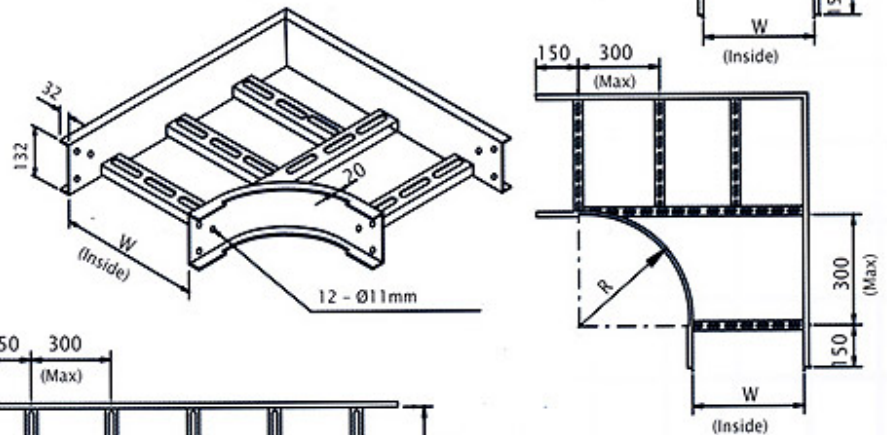
* Optional Radius (R) = 450mm & 600mm



2.2. Elbow A

Code No.	Width (W)mm	Radius mm
NB22159030	150	300
NB22309030	300	
NB22459030	450	
NB22609030	600	
NB22759030	750	
NB22909030	900	

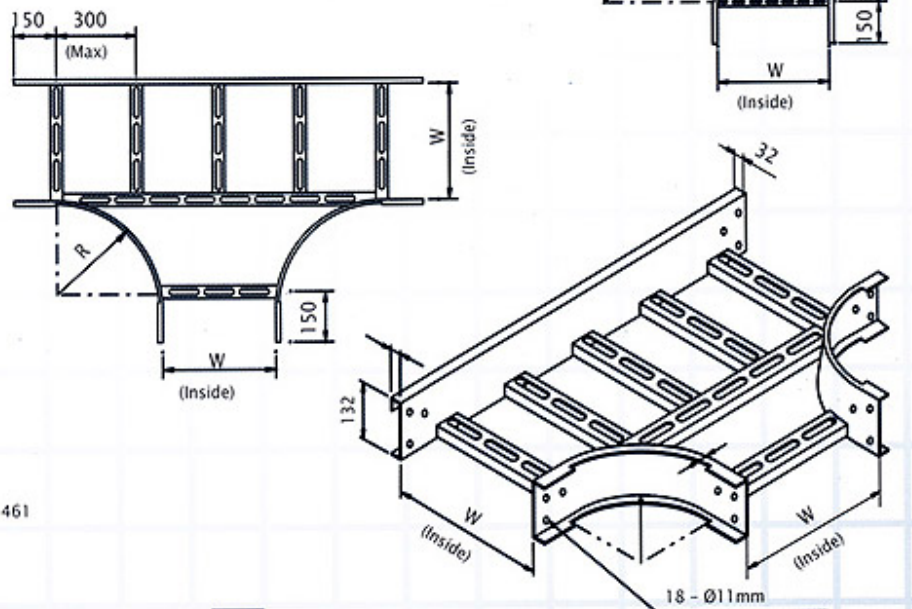
* Optional Radius (R) = 450mm & 600mm



3.1. Equal Tee

Code No.	Width (W)mm	Radius mm
NB31159030	150	300
NB31309030	300	
NB31459030	450	
NB31609030	600	
NB31759030	750	
NB31909030	900	

* Optional Radius (R) = 450mm & 600mm



MATERIAL :

Mild Steel JIS G 3131 (SPHC)
2.0mm Thickness Material

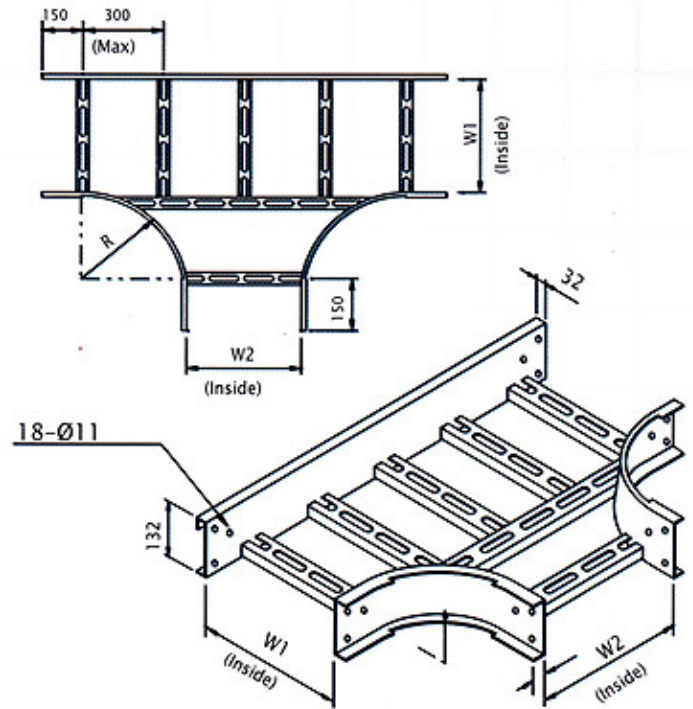
STANDARD FINISHING

Hot Dip Galvanized Comply to ASTM A123 or ISO 1461

3.2. Unequal Tee

Code No.	Width (W1)mm	Width (W2)mm	Radius mm
NB32301530	300	150	300
NB32453030	450	300	
NB32603030	600	300	
NB32604530	600	450	
NB32754530	750	450	
NB32904530	900	450	
NB32756030	750	600	
NB32906030	900	600	
NB32907530	900	750	

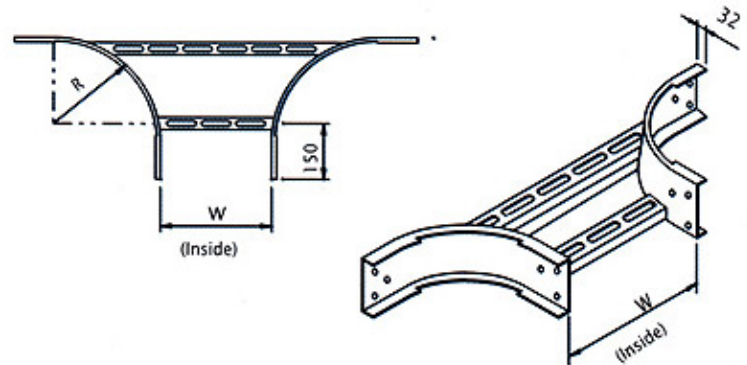
* Optional Radius (R) = 450mm & 600mm



3.3. Branch Tee

Code No.	Width (W)mm	Radius mm
NB331530	150	300
NB333030	300	
NB334530	450	
NB336030	600	
NB337530	750	
NB339030	900	

* Optional Radius (R) = 450mm & 600mm



4.1. Equal Cross

Code No.	Width (W)mm	Radius mm
NB411530	150	300
NB413030	300	
NB414530	450	
NB416030	600	
NB417530	750	
NB419030	900	

* Optional Radius (R) = 450mm & 600mm

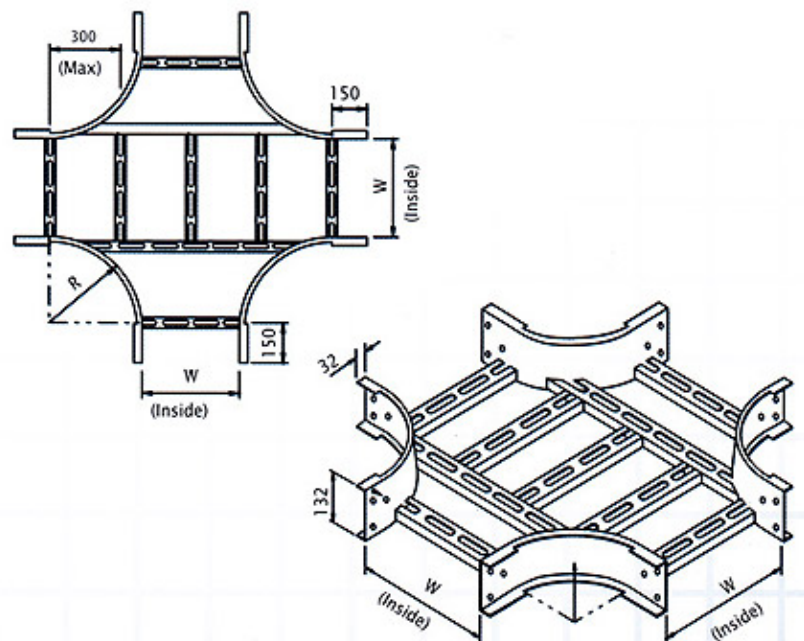
MATERIAL :

Mild Steel JIS G 3131 (SPHC)

2.0mm Thickness Material

STANDARD FINISHING

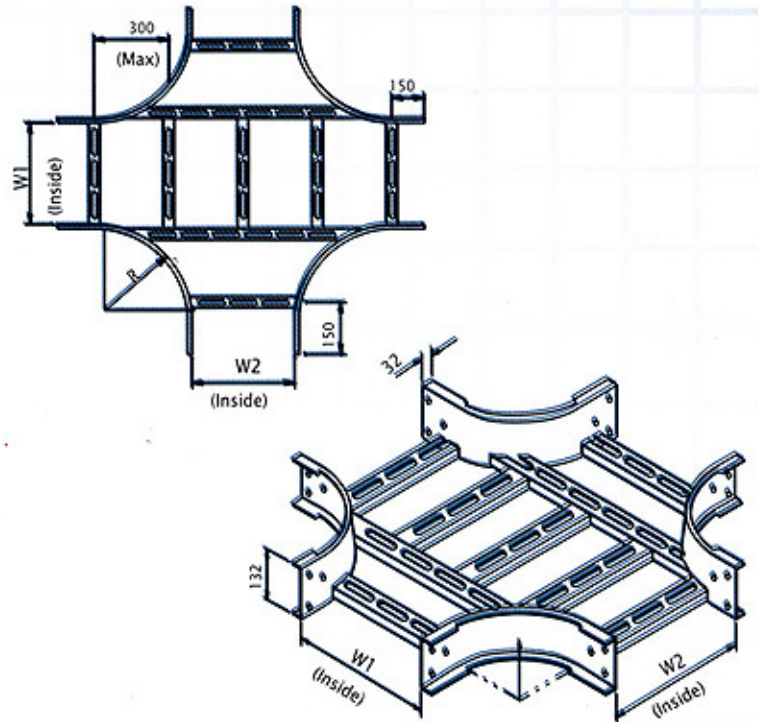
Hot Dip Galvanized Comply to ASTM A123 or ISO 1461



4.2. Unequal Cross

Code No.	Width (W1)mm	Width (W2)mm	Radius mm
NB42301530	300	150	300
NB42453030	450	300	
NB42603030	600	300	
NB42604530	600	450	
NB42754530	750	450	
NB42904530	900	450	
NB42756030	750	600	
NB42906030	900	600	
NB42907530	900	750	

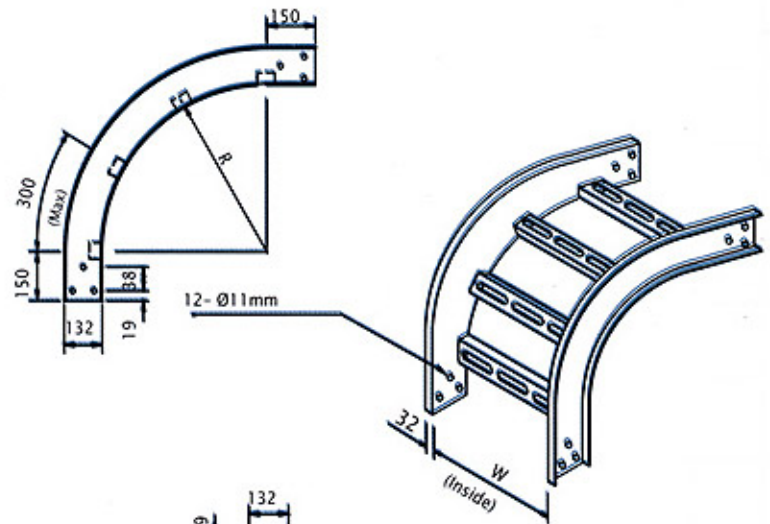
* Optional Radius (R) = 450mm & 600mm



5. Outside Riser

Code No.	Width (W)mm	Radius mm
NB501530	150	300
NB503030	300	
NB504530	450	
NB506030	600	
NB507530	750	
NB509030	900	

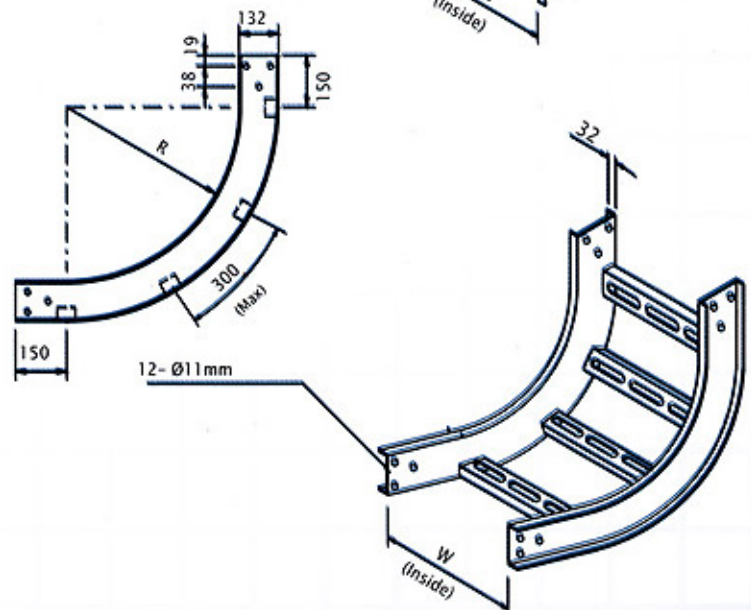
* Optional Radius (R) = 450mm & 600mm



6. Inside Riser

Code No.	Width (W)mm	Radius mm
NB60153030	150	300
NB60303030	300	
NB60453030	450	
NB60603030	600	
NB60753030	750	
NB60903030	900	

* Optional Radius (R) = 450mm & 600mm



MATERIAL :

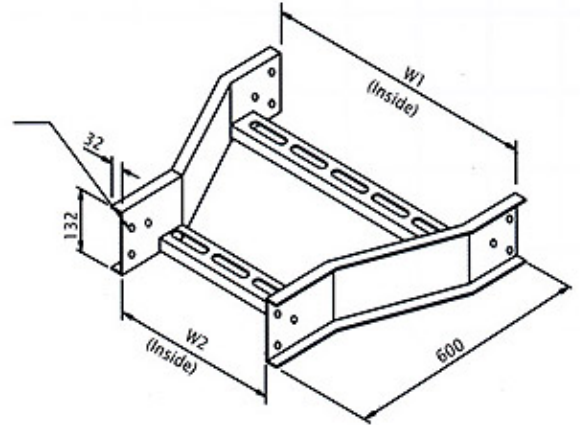
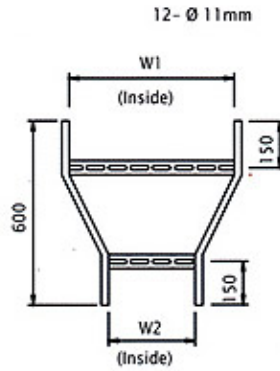
Mild Steel JIS G 3131 (SPHC)
2.0 mm Thickness Material

STANDARD FINISHING

Hot Dip Galvanized Comply to ASTM A123 or ISO 1461

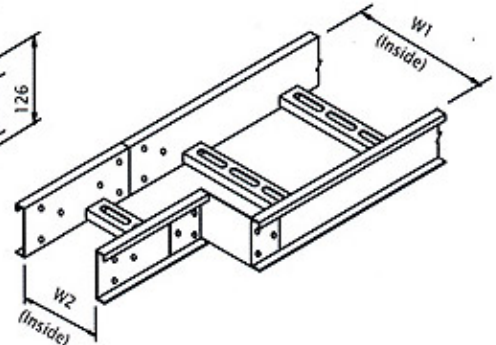
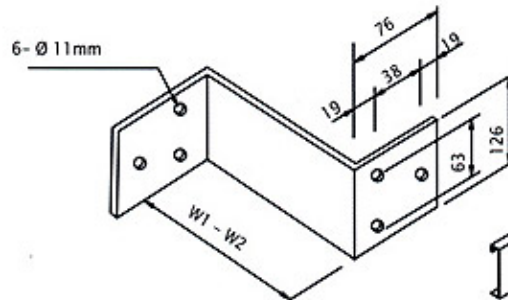
7.1. Straight Reducer

Code No.	Width (W1)mm	Width (W2)mm
NB713015	300	150
NB714530	450	300
NB716030	600	300
NB716045	600	450
NB717545	750	450
NB719045	900	450
NB717560	750	600
NB719060	900	600
NB719075	900	750



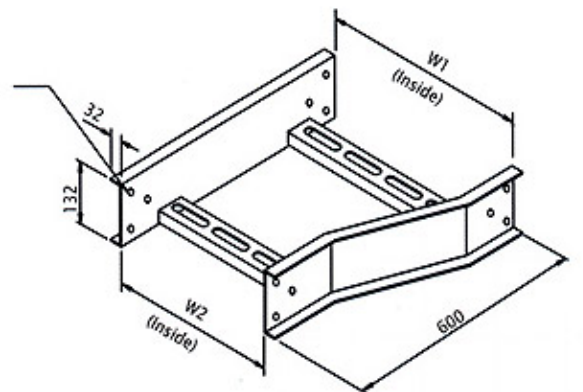
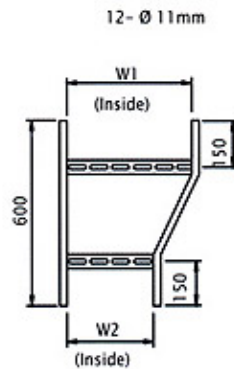
7.2. Reducer Plate

Code No.	Width (W1-W2)mm
NB7215	150
NB7230	300
NB7245	450



7.3. Right Reducer

Code No.	Width (W1)mm	Width (W2)mm
NB733015	300	150
NB734530	450	300
NB736030	600	300
NB736045	600	450
NB737545	750	450
NB739045	900	450
NB737560	750	600
NB739060	900	600
NB739075	900	750


MATERIAL :

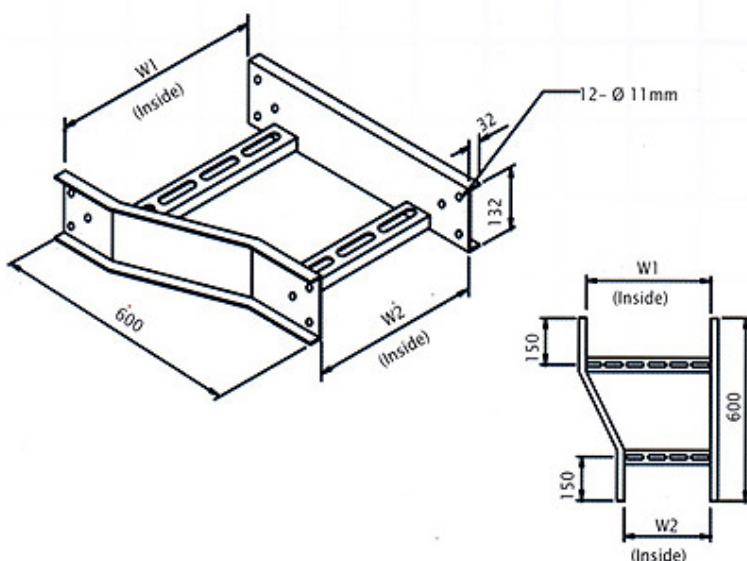
Mild Steel JIS G 3131 (SPHC)
2.0 mm Thickness Material

STANDARD FINISHING

Hot Dip Galvanized Comply to ASTM A123 or ISO 1461

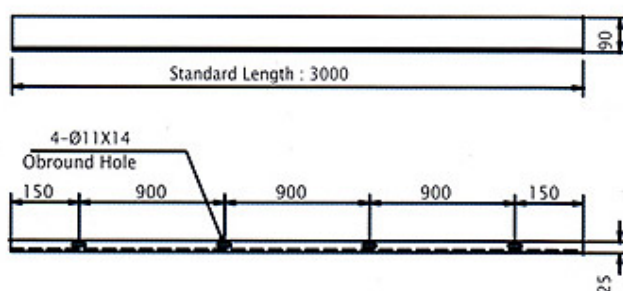
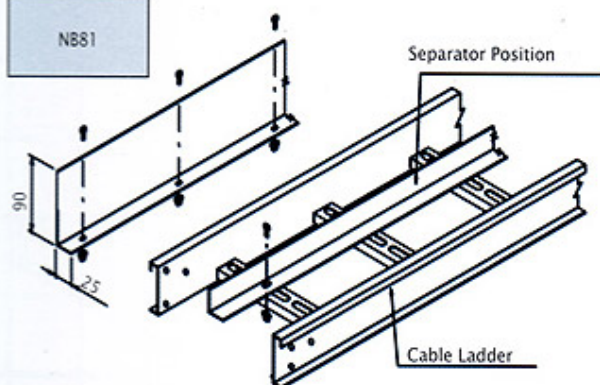
7.4. Left Reducer

Code No.	Width (W1)mm	Width (W2)mm
NB743015	300	150
NB744530	450	300
NB746030	600	300
NB746045	600	450
NB747545	750	450
NB749045	900	450
NB747560	750	600
NB749060	900	600
NB749075	900	750



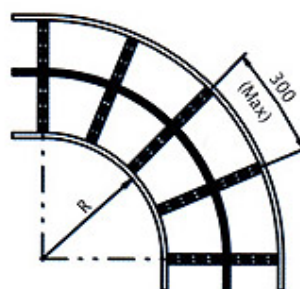
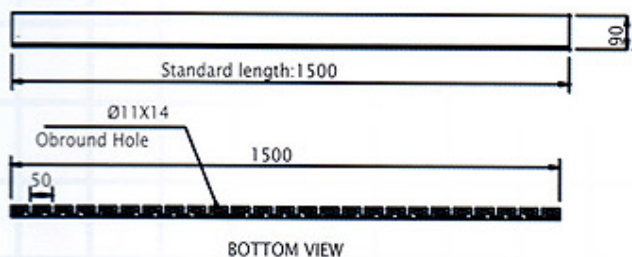
8.1. Straight Separator

Code No.
NB81

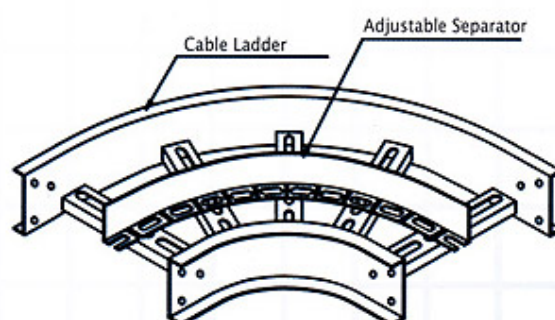


8.2. Adjustable Separator

Code No.
NB82



NOTE : Actual length shall be modified at site



MATERIAL :

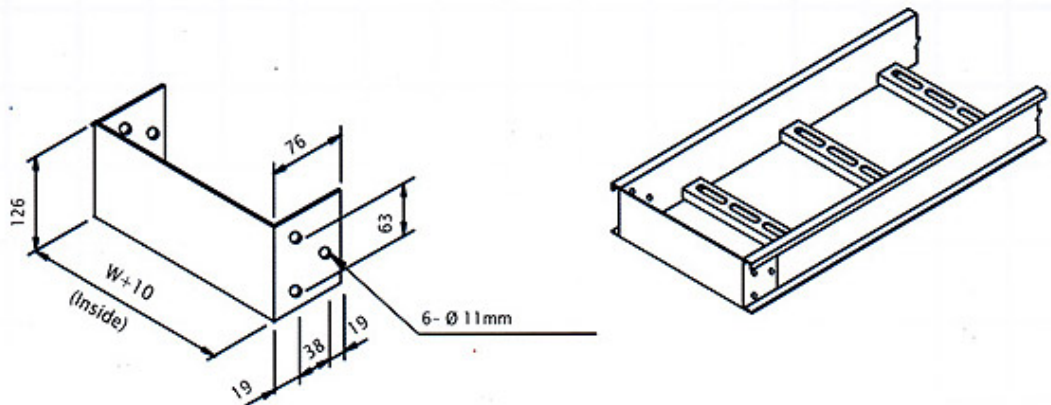
Mild Steel JIS G 3131 (SPHC)
2.0 mm Thickness Material

STANDARD FINISHING

Hot Dip Galvanized Comply to ASTM A123 or ISO 1461

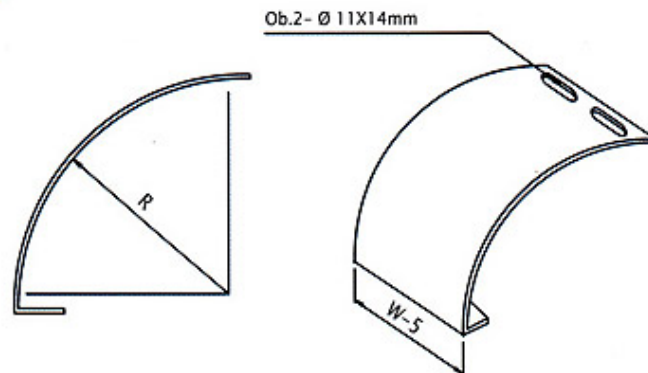
8.3. End Plate

Code No.	Width (W)mm
NB8315	150
NB8330	300
NB8345	450
NB8360	600
NB8375	750
NB8390	900



8.4. Drop Out

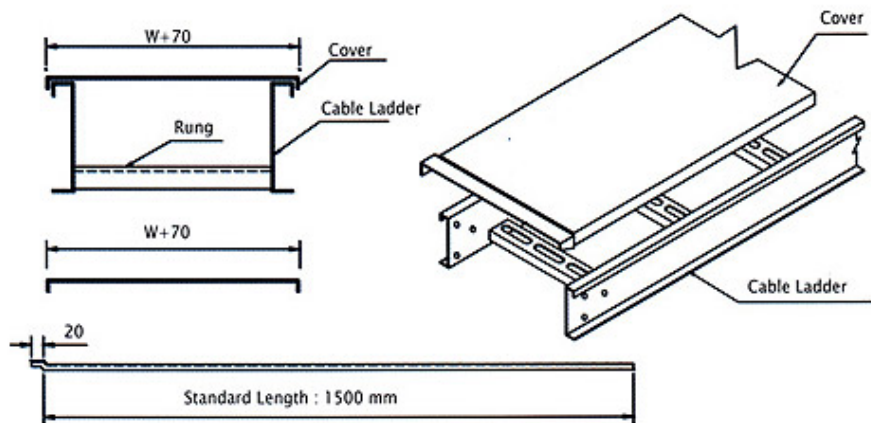
Code No.	Width (W)mm	Radius mm
NB84159030	150	300
NB84309030	300	
NB84459030	450	
NB84609030	600	
NB84759030	750	
NB84909030	900	



* Optional Radius (R) = 450mm & 600mm

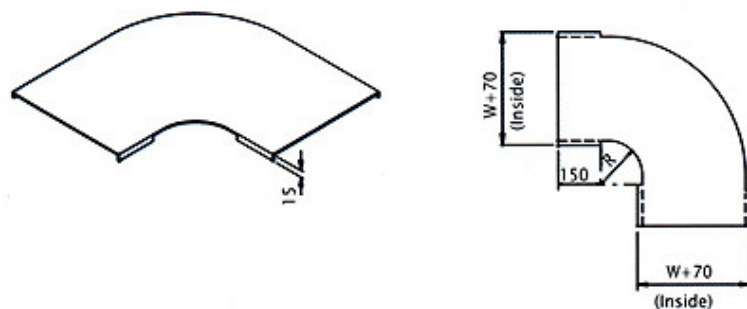
9.1. Straight Cover

Code No.	Width (W)mm	Length (L)mm
NB910 151520	150	1520
NB910 301520	300	
NB910 451520	450	
NB910 601520	600	
NB910 751520	750	
NB910 901520	900	



9.2.1. Elbow Cover

Code No.	Width (W)mm	Radius mm
NB921 159030	150	265
NB921 309030	300	
NB921 459030	450	
NB921 609030	600	
NB921 759030	750	
NB921 909030	900	



* Optional Radius (R) = 450mm & 600mm

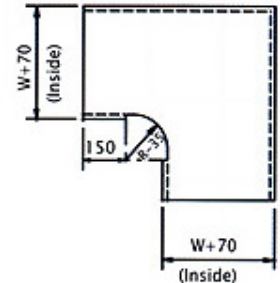
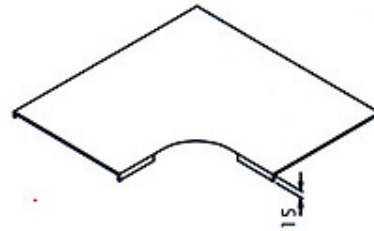
MATERIAL :
Mild Steel JIS G 3131 (SPHC)
2.0 mm Thickness Material

STANDARD FINISHING
Hot Dip Galvanized Comply to ASTM A123 or ISO 1461

9.2.2. Elbow A Cover

Code No.	Width (W)mm	Radius mm
N89221530	150	265
N89223030	300	
N89224530	450	
N89226030	600	
N89227530	750	
N89229030	900	

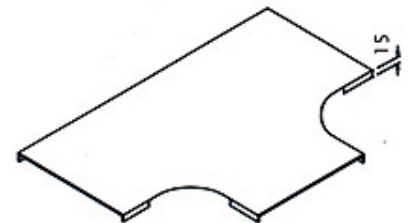
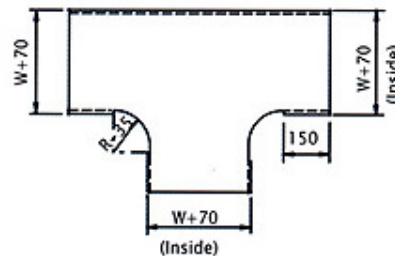
* Optional Radius (R) = 450mm & 600mm



9.3.1. Tee Cover

Code No.	Width (W)mm	Radius mm
N89311530	150	265
N89313030	300	
N89314530	450	
N89316030	600	
N89317530	750	
N89319030	900	

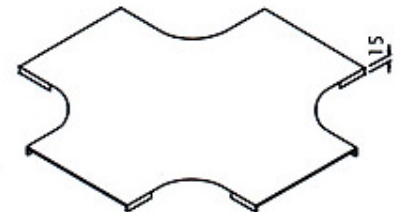
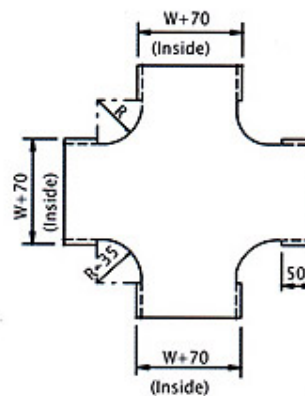
* Optional Radius (R) = 450mm & 600mm



9.4.1. Cross Cover

Code No.	Width (W)mm	Radius mm
N89411530	150	265
N89413030	300	
N89414530	450	
N89416030	600	
N89417530	750	
N89419030	900	

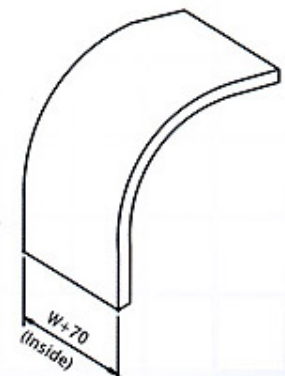
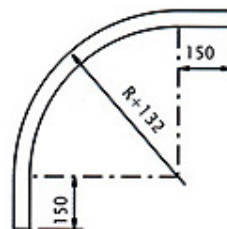
* Optional Radius (R) = 450mm & 600mm



9.5.0. Outside Riser Cover

Code No.	Width (W)mm	Radius mm
N8950159030	150	230
N8950309030	300	
N8950459030	450	
N8950609030	600	
N8950759030	750	
N8950909030	900	

* Optional Radius (R) = 450mm & 600mm



MATERIAL :

Mild Steel JIS G 3131 (SPHC)

2.0 mm Thickness Material

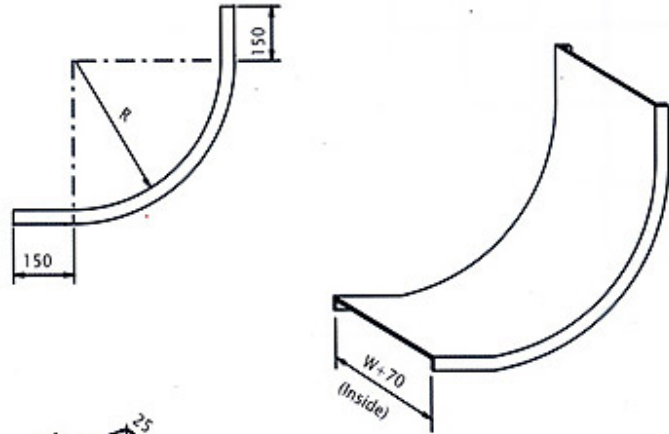
STANDARD FINISHING

Hot Dip Galvanized Comply to ASTM A123 or ISO 1461

9.6.0. Inside Riser Cover

Code No.	Width (W)mm	Radius mm
NB960159030	150	298
NB960309030	300	
NB960459030	450	
NB960609030	600	
NB960759030	750	
NB960909030	900	

- * Optional Radius (R) = 450mm & 600mm
- * 2.0 mm Thickness Material



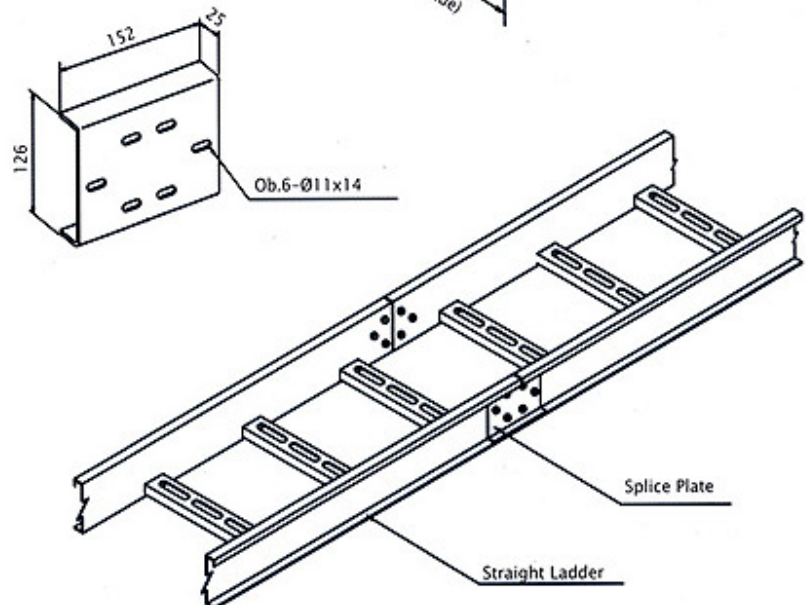
11. Splice Plate

Code No.
NB11

- * 3.0 mm Thickness Material

Supplied with Round Head Bolt 3/8" x 1"(*)

- E - Electro galvanized
- (*) H-Hot dip.galvanized
- S-SUS 304



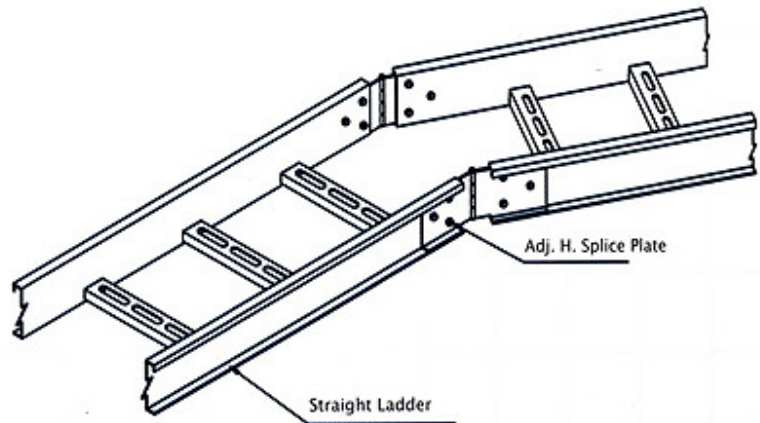
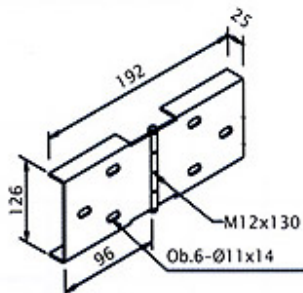
12. Adjustable Horizontal Splice Plate

Code No.
NB12

Supplied with Round Head Bolt 3/8" x 1"(*)

- E - Electro galvanized
- (*) H-Hot dip.galvanized
- S-SUS 304

- * 3.0 mm Thickness Material



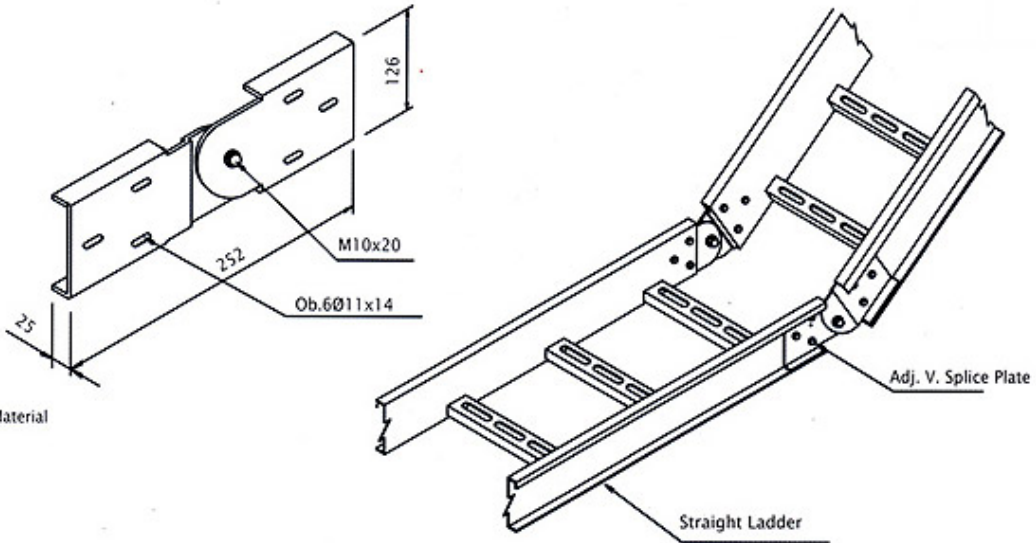
MATERIAL :
Mild Steel JIS G 3131 (SPHC)

STANDARD FINISHING
Hot Dip Galvanized Comply to ASTM A123 or ISO 1461

13. Adjustable Vertical Splice Plate

Supplied with Round Head Bolt 3/8" x 1" (*)
E- Electro galvanized
(*)H - Hot dip. galvanized
S - SUS 304

Code No.
NB13



* 3.0 mm Thickness Material

14. Clamp Cover

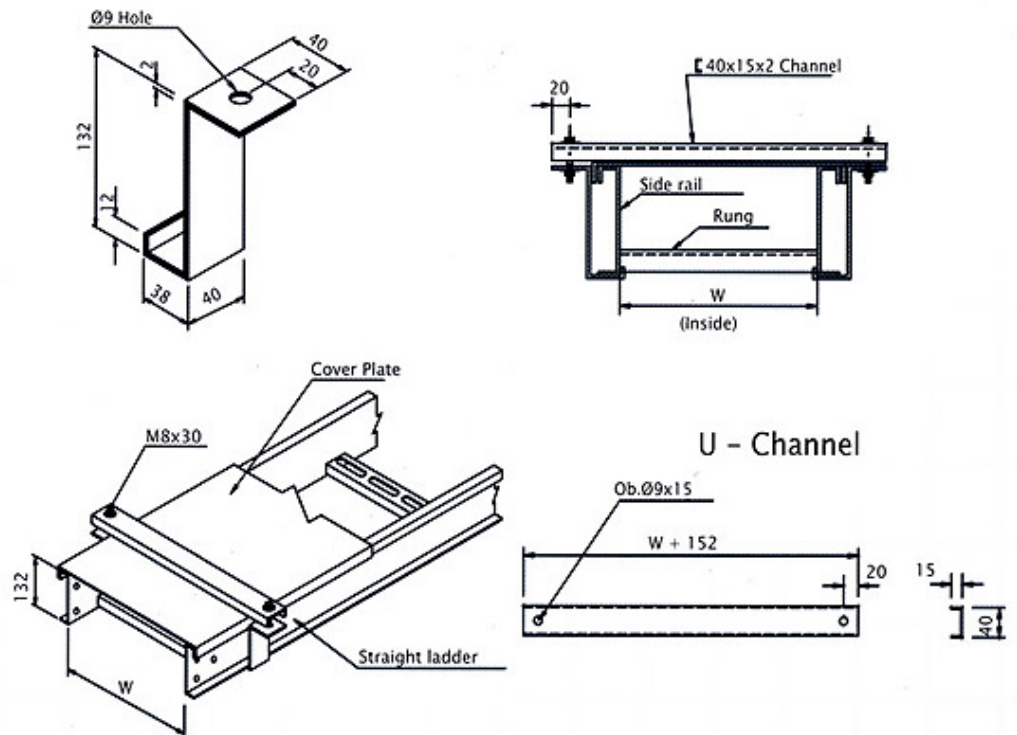
HDC - Hold Down Clamp

Code No.
NB141

U - Channel

Code No.	Width (W)mm
NB14215	150
NB14230	300
NB14245	450
NB14260	600
NB14275	750
NB14290	900

* 2.0mm Thickness Material



MATERIAL :
Mild Steel JIS G 3131 (SPHC)

STANDARD FINISHING
Hot Dip Galvanized Comply to ASTM A123 or ISO 1461